

Engine 4TNV98

Engine power 46,5 kW - 63,2 HP

Operating Weight 9.900 kg

**ES 95 TR**

Concrete solutions. Always



 **EUROCOMACH®**

# TECHNICALS SPECIFICATIONS

Weight (with rubber track)	kg	9.900
Weight (with steel track)	kg	10.220
Travelling speed Lo-Hi	km/h	2,6 - 5,2
Slew speed	rpm	12

## ENGINE

Type		YANMAR 4TNV98
Max Power	kW- HP	46,5 - 63,2
Displacement	cc	3.319
Number of cylinders	n°	4
Cooling		water
Consumption	lt/h	7,5
Alternator	V (A)	12 (40)
Battery	V (Ah)	12 (100)

## HYDRAULIC SYSTEM

Type		Load sensing closed center system with flow sharing control valve
Pump type		1 LS VARIABLE PUMP + 1 GEAR PUMP
Pump displacement	cc	84+ 9
Pump capacity	lt/min	185 + 20
Auxiliary system	lt/min	100
Circuit calibration pressure	bar	290 - 200 -35

## PERFORMANCES

Bucket breaking force (standard arm) ISO 6015	daN	5.500
Arm breaking force (standard arm) ISO 6015	daN	4.350
Traction force	daN	7.960
Ground pressure with canopy (with cabin)	kg/cm <sup>2</sup>	0,46
Max slope		60% - 30°

## DIMENSIONS

Total width	mm	2.320
Max dumping height with cabin and standard arm (optional arm)	mm	6.070 (6.370)
Total height	mm	2.560
Rear rotation radius	mm	1.155
Max digging depth standard arm (optional arm)	mm	4.570 (4.920)
Digging arm length std (optional)	mm	1.760 (2.110)
Tracks width	mm	450
Rollers (for each side)	n°	5/1 (rubber track) 5/1 (steel track)

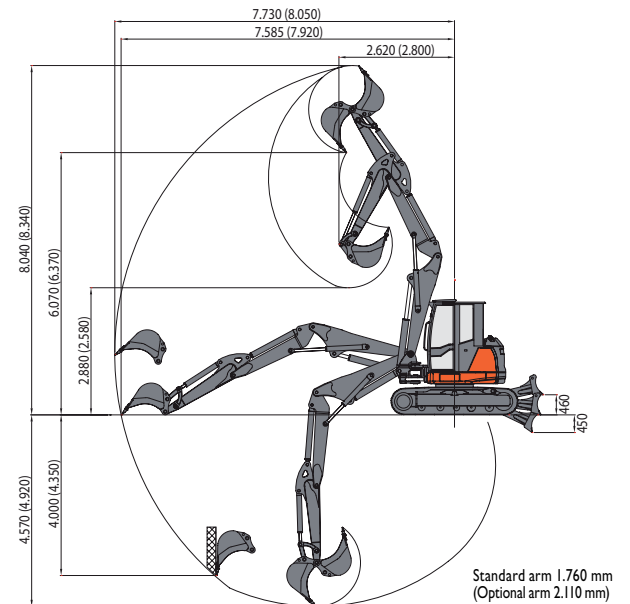
## FILLINGS

Fuel tank	lt	105
Hydraulic oil tank	lt	90
Hydraulic circuit capacity	lt	120
Cooling system capacity	lt	25
Engine oil	lt	10

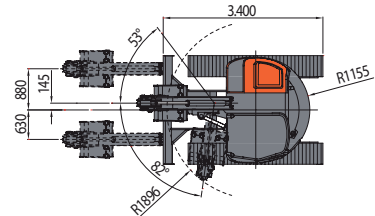
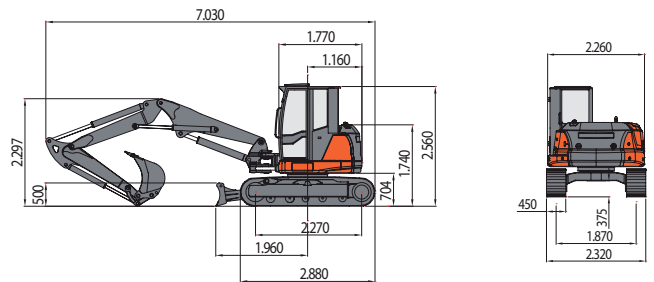
## CONTROLS

Bucket, boom, swing, slew		2 joisticks
Travel and steering		2 pilot levers
Dozer blade		1 pilot lever
Auxiliary hydraulics system		electroproportional switch on right joystick
Boom swing		electroproportional switch on left joystick

# ES 95 TR



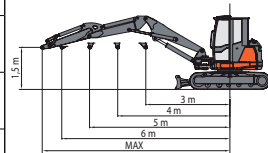
Standard arm 1.760 mm  
(Optional arm 2.110 mm)



## LIFTING CAPACITY

Opening arm from the rotation's center (m)  
Lifting capacity (kg) at 1.5 m height

	3	4	5	6	MAX
Idler center	4045	2830	2110	1750	1580
Dozer blade lifted	2760	1930	1235	1000	920
Crawler center	2800	1850	1250	960	840



The lifting capacity is based on the ISO 10567 and it does not exceed more than the 75% of static tipping load or more than the 87% of the hydraulic lifting capacity of the machine.



**EUROCOMACH**<sup>®</sup>

MADE IN ITALY

**Sampierana S.p.a.**

47021 S.Piero in Bagno (FC)

via Leonardo da Vinci, 40

Tel +39 0543.904211

Fax +39 0543.918520

www.eurocomach.com

